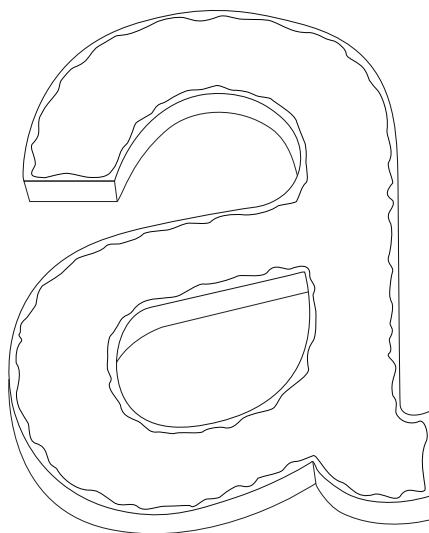


NORDGRÖNA®

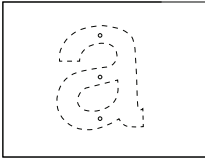
Letters & Logos Installation Guide



Letters & Logos
Product Info

www.nordgrona.com
info@nordgrona.com

Included



Template

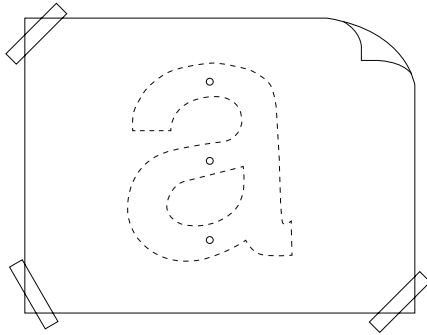


Plugs

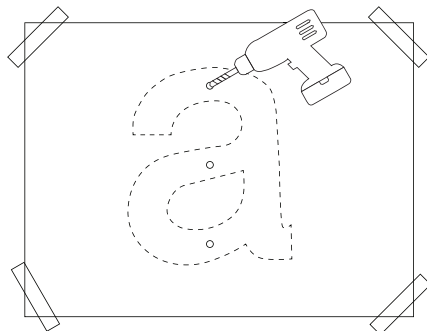


Screws

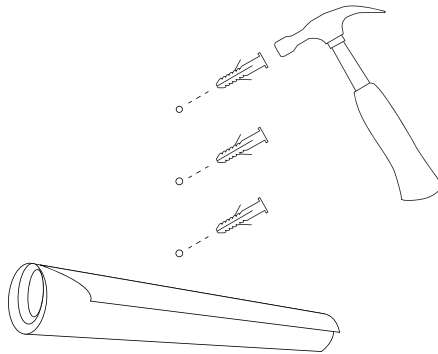
1. Position and fixate template



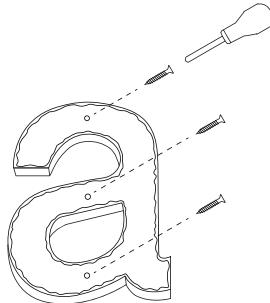
2. Drill screw holes



3. Remove template and insert plugs



4. Place shape and insert screws through the moss



Weight & Dimensions

Depth: 45 mm

Caution!

Avoid installing product near heat sources, metals which can corrode, or in wet environments.