

REFELT

PET Felt panels Thru-cut



T +31 (0)26 206 21 02
E info@refelt.nl
W refelt.nl

Installation guide
V. 01

Installation options

The Thru-cut panels provide a simple and efficient method to create a patterned wall design. These pre-designed panels are tileable and ready-to-use. You can easily install them using adhesive or brad nails, depending on the wall lining and project requirements. Thru-cut panels can be applied as a single layer or on top of a regular PET Felt panel.

Handling

The PET Felt panels should be handled carefully during transportation and unloading. The dimensions and flexibility of a single sheet usually requires two people to lift it. This is necessary to avoid the deformation of the material.

Colours

Slight color deviations may occur since the ReFelt panels are made from recycled fibers. It is recommended to use the same batch per project. When placing an order, please, take a margin into account for unforeseen changes or additions to a design plan.

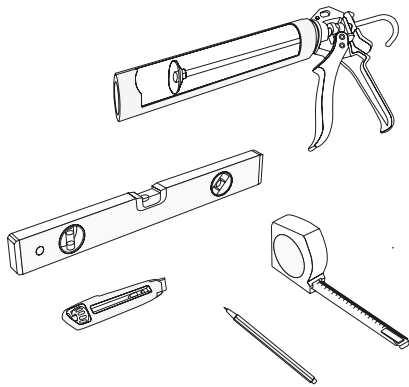
Before installation

We would like to emphasize that it is important to carefully check the entire order before processing or installing the panels.

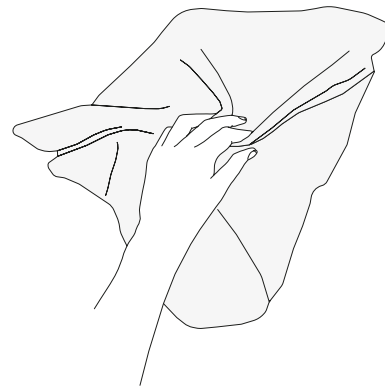
The panels have a frontside and a backside, since the fibers are differently orientated on each side (nap direction). Keep in mind to apply the panels in the same direction and use the same side during the installation to avoid alterations in appearance.

Adhesive, single layer

When installing PET Felt panels, it is advisable to use a polymer adhesive like Griffon poly max high tack. This SMP sealant is available at most hardware stores. Please, read the manufacturer's instructions before the installation. The advantage of a polymer glue is that you can apply it on large areas and still correct the placement since the adhesive does not dry immediately.



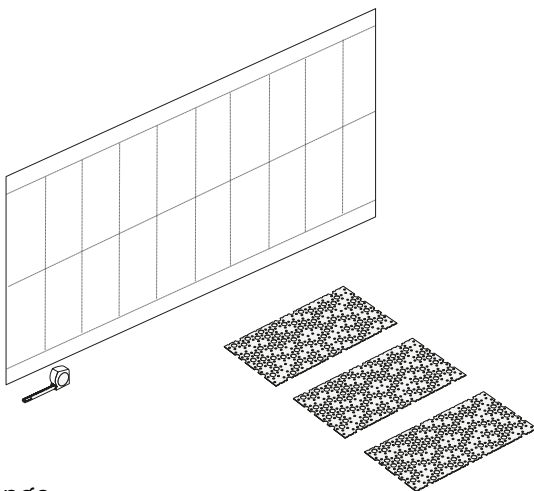
Suggested tools



①

Prepare the surface

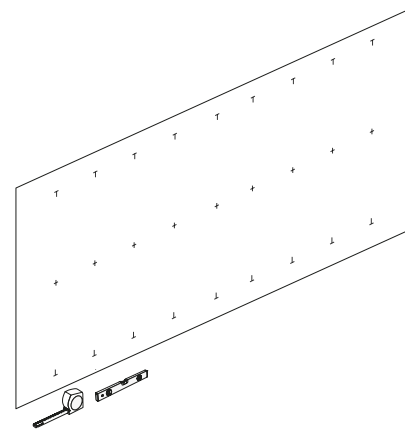
Ensure that the surface is flat and clean.



②

Arrange

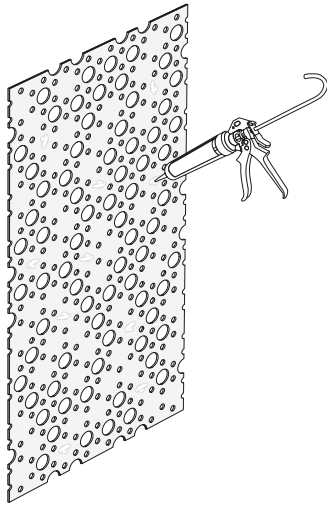
Determine the arrangement of the panels on the surface that needs to be covered.



③

Mark out

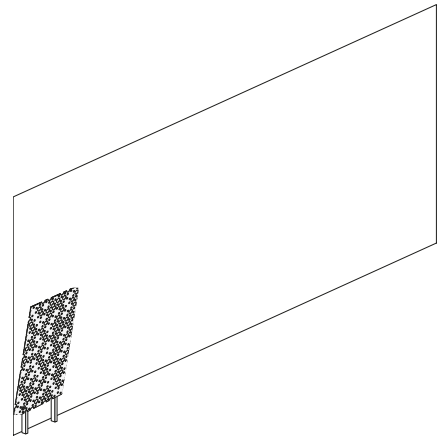
It may be useful to put a number of reference markings on the wall indicating the final alignment of the panels.



④

Apply glue

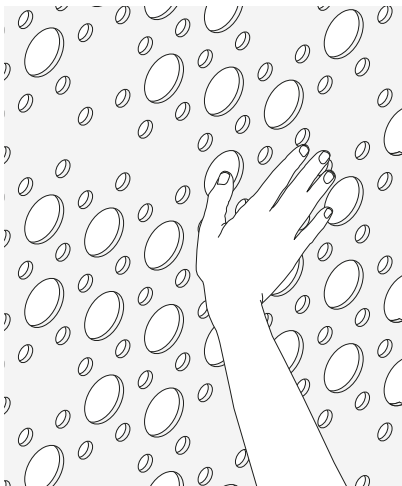
Apply the adhesive on the panel, following the manufacturer's instructions. Distribute it evenly.



⑤

Place panel

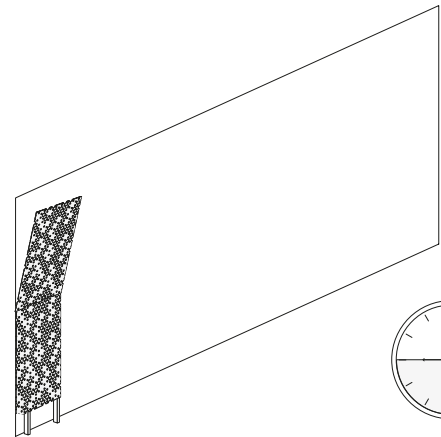
Start mounting the panel from the bottom. It can be helpful to use spacers to ensure a leveled placement.



⑥

Press

Press the panel firmly against the surface, make sure that the corners and edges are properly attached.



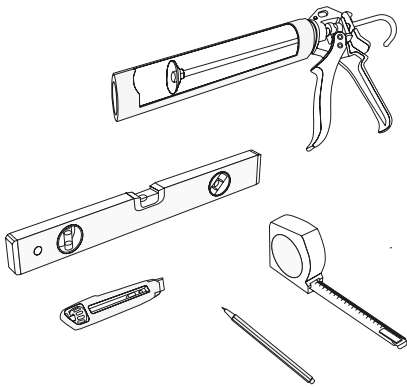
⑦

Cure Time

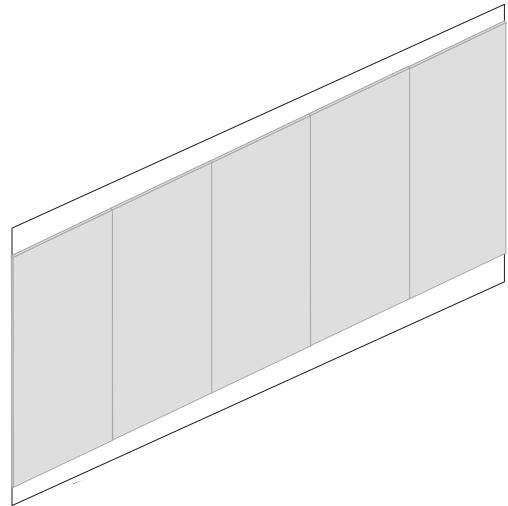
Allow the adhesive to cure. The curing time may vary, follow the adhesive manufacturer's recommendations.

Adhesive, double layer

The Thru-cut panels can be applied on top of a regular PET Felt panel. This double-layered placement will also improve the acoustic performance.



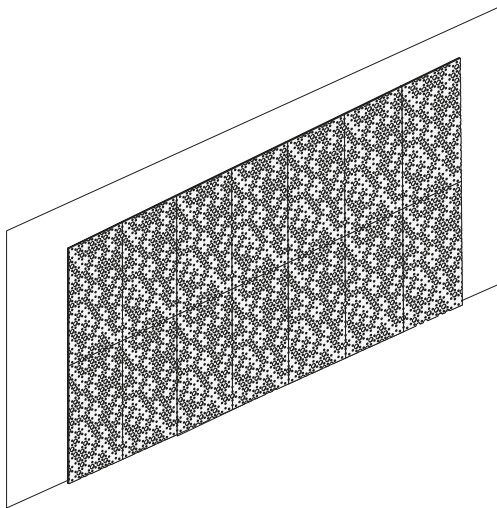
Suggested tools



①

Apply the first layer of panels

Apply the first layer following the PET Felt panels installation guide.



②

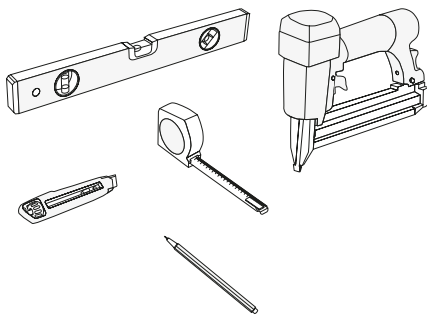
Apply Thru-cut panels on top of regular panels

Apply the second layer following the previously mentioned instructions for single-layer placement.

Brad nails, single layer

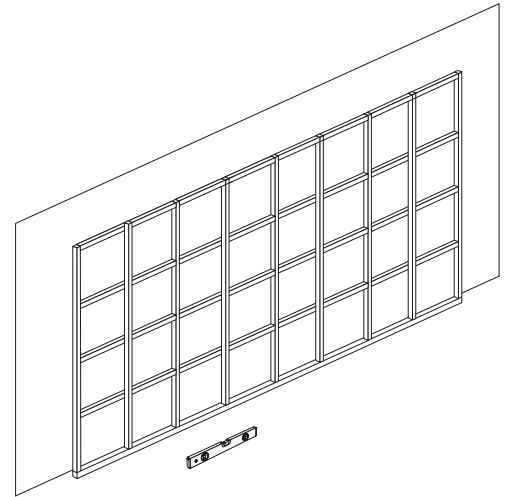
Brad nails can be applied using a brad nailer, an equivalent pneumatic or cordless nailer tool. Using a brad nailer is the quickest way to install the PET Felt panels. The nails will not be apparent because they disappear between the fibers. However, if you look closely, small holes will still be visible.

⚠ It is not necessary to use additional adhesive in combination with the brad nails. This method also makes it easy to dismantle the panels.



Suggested tools

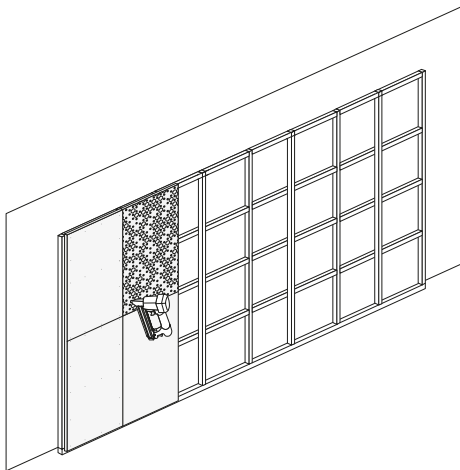
This installation method can be applied on any surface that is suitable for brad nails.



①

Framework

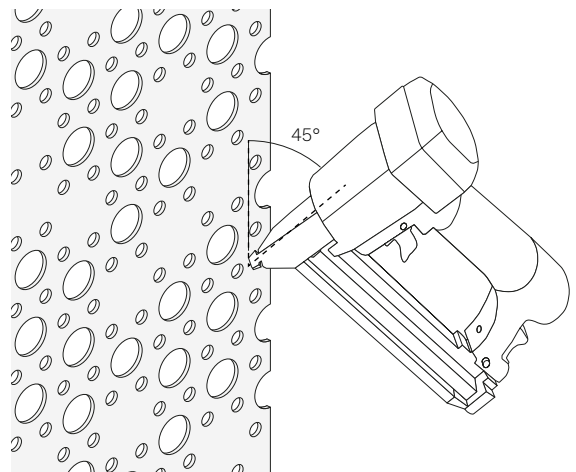
Prepare a wooden framework and make sure the frame is leveled. Choose the grid suitable for the size of panels.



②

Apply panels

The pressure of a pneumatic nailer tool must be set to approximately 5.0 to 5.5 bar.



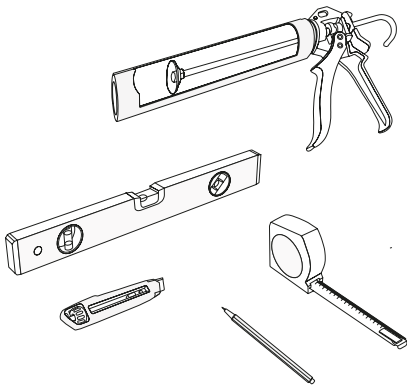
③

Angle

For a better grip of the headless nail, the nails can be applied at an angle of approximately 45°.

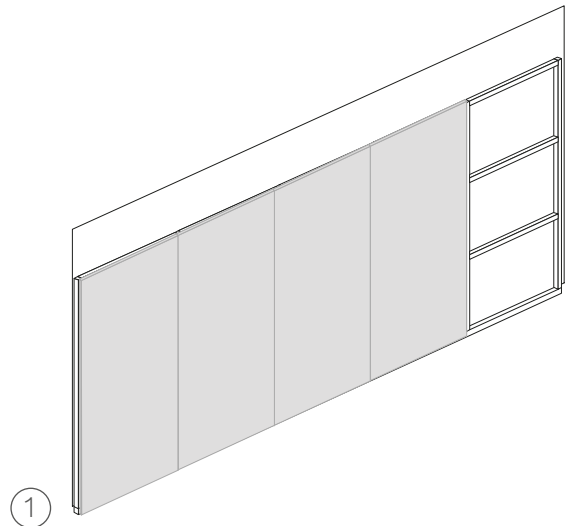
Brad nails, double layer

The Thru-cut panels can be applied on top of a regular PET Felt panel. This double-layered placement will also improve the acoustic performance.



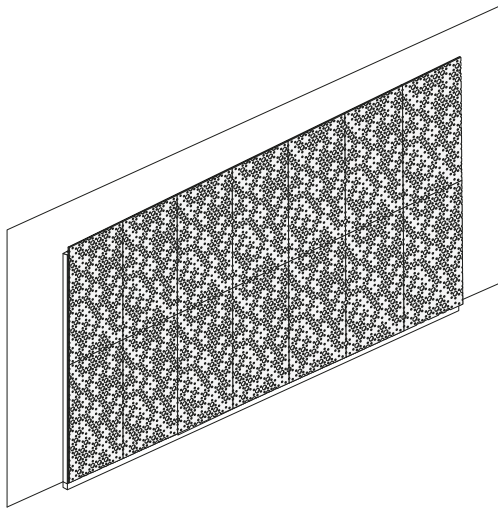
Suggested tools

This installation method can be applied on any surface that is suitable for brad nails.



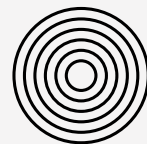
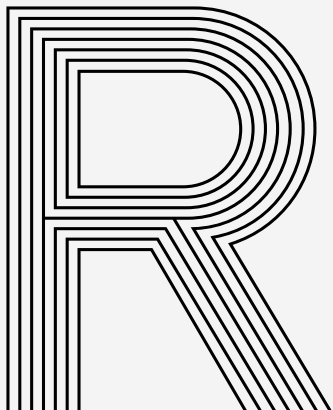
Apply the first layer of panels

Apply the first layer following the PET Felt Panel [installation guide](#).



Apply Thru-cut panels on top of regular panels

Apply the second layer following the previously mentioned instructions for single-layer placement.



T +31 (0) 262 062 102
E info@refelt.nl
W refelt.nl

